

# Safety Mats & Area Guarding

# UMQ Series



## Quick-Disconnect Universal Safety Mat System

### Heavy-Duty Four-Wire Presence Sensing Mats with Removable Cable, Category 3 Controllers and Perimeter Trim

#### System

- When UMQ series mats are combined with an MC3, MC4 or MC6 controller (with complete diagnostics), the result is a system that meets the standard EN 1760-1:1998 and is entitled to display the CE mark. See below for an overview of the various components.

#### UMQ Series Mat

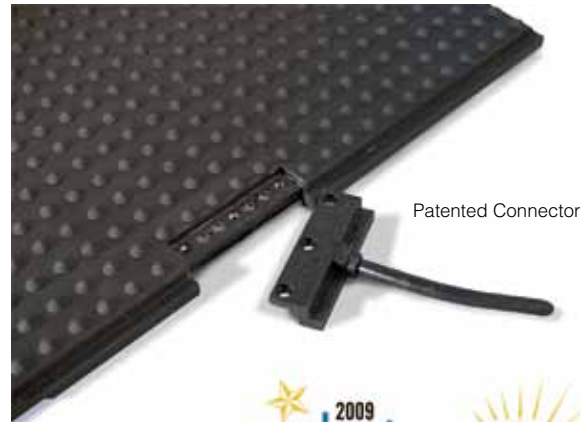
- Fork lift traffic of 270 lbs. per square inch
- IP67 rated
- Mat flammability self extinguishing, meets UL94VO
- Single-piece molded construction
- Black or yellow color
- Damage to cables during installation is eliminated by installing cables after mat installation
- Easy cable replacement
- Six cable location options offer the ability to configure where cable exits

#### Controllers

- Safety category 3 devices
- DIN-rail mount (MC3)
- NEMA controllers (MC4, MC6)
- 24 VDC or with universal power supply 100 to 240 VAC

#### Trim

- Two-part perimeter and joining trim simplifies installation and provides a custom appearance
- Two options for trim kit corners: Mitered and molded



Patented Connector



## Description

An Omron STI Quick-Disconnect Universal Mat system (UMQ series mat combined with an MC3, MC4 or MC6) offers a simple method for guarding personnel around hazardous machines. A Quick-Disconnect Universal Mat system offers freedom, flexibility, and reduced operator fatigue when compared with traditional guarding methods such as interlocked fences, pullback restraints or perimeter barriers.

Full visibility and access to the work area is maintained. There is no need to worry about personnel forgetting to replace mechanical barriers or close gates.

Omron STI UMQ Series safety mat incorporates a design that features a cable quick disconnect located on the mat. This allows the cable to be attached after the mat is installed in order to minimize damage to the cable during installation. The new patented connector is designed and tested to meet IP67 requirements.

## How the System Works

The operation of a Quick-Disconnect Universal Mat system is easy to understand. The mat is a simple, normally open switch. When a specified minimum weight is applied to the mat the "switch" closes. This sends a signal to the controller which, in turn, sends a stop signal to the guarded machine.

Each mat presents four wires to the controller. This provides the redundancy required to monitor the wiring for open circuits due to incorrect wiring or physical damage to the wires.

In order to meet many national safety regulations, Omron STI offers trim to secure the mat to the floor so that it cannot be easily relocated and therefore become ineffective.

F

## Mat Specifications

| <b>Mechanical</b>                  |  |
|------------------------------------|--|
| Mat Cover Material:                | PVC  |
| Mat Type:                          | Normally open SPST, four-wire  |
| Mode:                              | Pressure Sensitive   |
| Activation Force:                  | Detects adults > 30 kg (66 lbs) (8.5 lbs/in. <sup>2</sup> )  |
| Maximum Load:                      | Static Load: 122.5 kg/in. <sup>2</sup> (270 lbs/in. <sup>2</sup> )   |
|                                    | Rolling Load: 122.5 kg/in. <sup>2</sup> (270 lbs/in. <sup>2</sup> )  |
| Mechanical Life:                   | 1 x 10 <sup>6</sup> operations   |
| Mat Cable:                         | 18-gauge, 4-conductor, 16-strand, 300 VAC, with MC12DC male single key connector; 5 m or 10 m long   |
| Mat Weight:                        | Approx. 24.4 kg/m <sup>2</sup> (5 lbs/ft. <sup>2</sup> )   |
| <b>Environmental</b>               |  |
| Protection:                        | IP67   |
| Operating Temperature:             | -37 to 66°C (-35 to 150° F)  |
| Mat Flammability:                  | Self extinguishing, meets UL 94VO  |
| Operating Humidity:                | 0-100% RH  |
| Mat Chemical Resistance*:          | Water: Excellent   |
|                                    | Mineral Acids: Good/Excellent  |
|                                    | Organic Acids: Good/Excellent  |
|                                    | Alcohols: Good   |
|                                    | Aldehydes: Good/Excellent  |
|                                    | Caustics: Good/Excellent   |
|                                    | Petroleum Solvents: Good   |
|                                    | Organic Solvents: Poor   |
|                                    | Chlorinated Solvents: Poor   |
| *40 minute exposure at 23°C (74°F) |  |
| <b>Compliance</b>                  |  |
| Conforming to Standards:           | ANSI/RIA 15.06-1999, ANSI B11.19-2003, OSHA 1910.21(b), CSA Z432-04  |
| Approvals:                         | When used with an MC3, MC4 or MC6 controller the UMQ series safety mats comprise a system which has been EC type examined to the requirements of category 3, EN 954-1 and EN1760-1:1998. |



For specifications and dimensions on the MC Controllers, see page F13

F

Specifications are subject to change without notice.

## Mat Selection

Multiple UMQ series mat sizes are offered. A system can easily be configured to meet almost any guarding requirement.

| <b>Standard Mat Sizes</b> |   |
|---------------------------|---|
| Widths                    | 12 to 48 in.                                    |
| Lengths                   | 12 to 72 in.                                    |
| <b>Metric Mat Sizes</b>   |   |
| Widths                    | 500 to 1200 mm                                  |
| Lengths                   | 500 to 1800 mm                                  |
| <b>Custom Mat Sizes</b>   |   |
| Widths                    | From 8 in. up to 48 in.<br>(0.5 in. increments) |
| Lengths                   | From 8 in. up to 72 in.<br>(0.5 in. increments) |



For specific mat sizes, see page F10

## Trim Selection

Several choices are available in trim selection and can be customized to a specific application.

### Two-Part Ramp Trim with Yellow PVC Cover

This trim simplifies routing of cables and replacement of damaged mats. To position the mats correctly, place all of the mats in the approximate position, place the joining trim between the mats, then temporarily place the cover on the joining trim. Square the mats by sliding the ramp trim under the mats. When all of the mats are correctly positioned, anchor the perimeter trim to the floor. After the wires have been routed, a rugged cover of highly visible, safety yellow PVC is snapped into place. Corners can either be mitered or be Omron STI's exclusive molded corners. (See illustrations on this page.)

### Two-Part Ramp Trim with Aluminum Cover

This trim is the same as above except that the PVC cover is replaced with an aluminum cover that is attached by screws to the base. (See the Dimensions Section of this datasheet for details.)

### Two-Part Active Joining Trim

Similar in concept to the two-part ramp trim, this trim provides an "active" joint where the perimeters of two mats adjoin each other. When a person steps on the surface cover of the active joining trim, the Universal Mat system will detect their presence and send a stop signal to the guarded machine.

### Aluminum Blunt Trim

Used to finish off the edge of a mat installation near a wall or machine. Helps hold mats in place.

### Aluminum Ramp Trim

This single part aluminum ramp trim is available for areas where the two part ramp trim may not be suitable.

### Molded Corners

Eliminates the need to miter the corners of perimeter trim. Designed to mate with Omron STI two-part ramp trim.

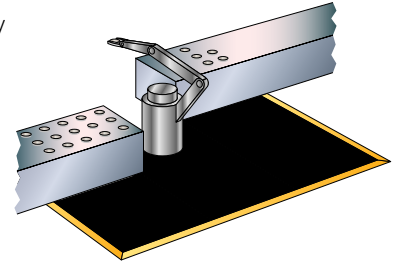
## Applications

Presence sensing safety mats are used to monitor an entire hazardous area. They offer flexibility, quick access and may frequently be the most economic choice. Other options for perimeter guarding include interlocked barrier guards and safety light curtains. However, personnel can become trapped inside a barrier guard and safety light curtains only monitor the perimeter, not the hazardous area inside.

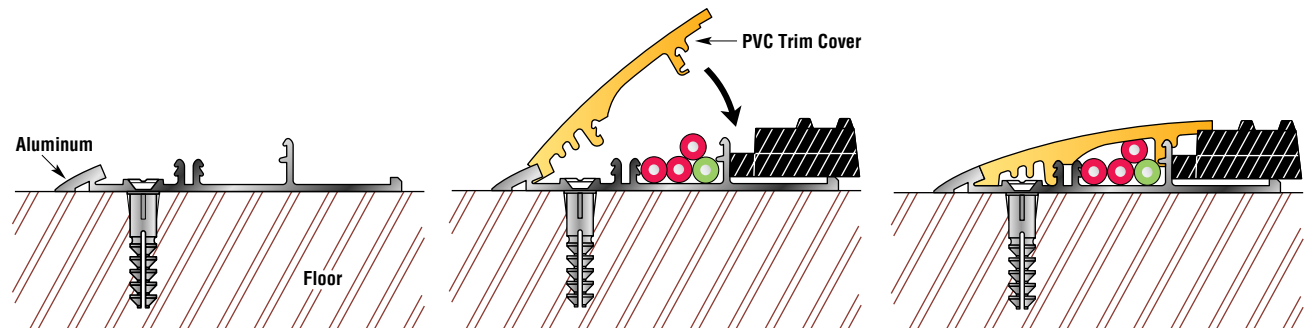
Additionally, mats can also simplify routine tasks such as machine setup, maintenance and repair.

Applications can be found throughout industry and typically include the following areas:

- Welding Robots
- Assembly Machinery
- Material Handling
- Packaging Machinery
- Punches
- Presses
- Robotic Work Cells



F

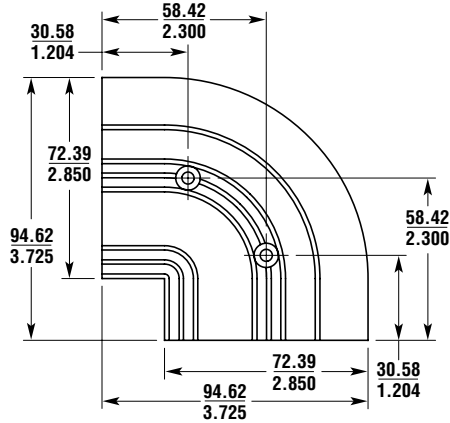


## Trim Dimensions

(mm/in.)

### Outside Molded Corner Trim

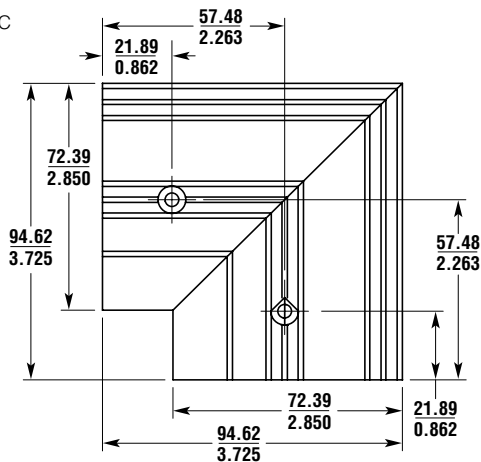
Model UMOG



Molded Outside Corner: PN 25836

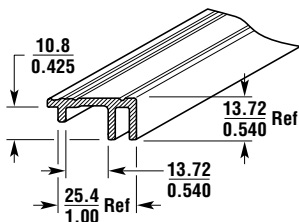
### Inside Molded Corner Trim

Model UMIC



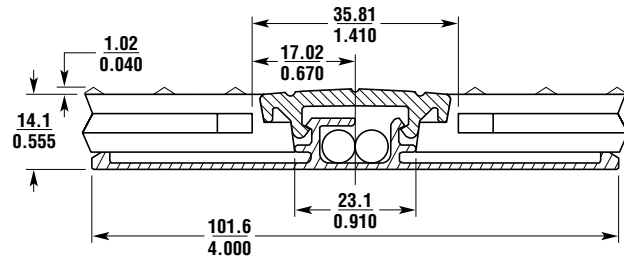
Molded Inside Corner: PN 25837

### Blunt Trim



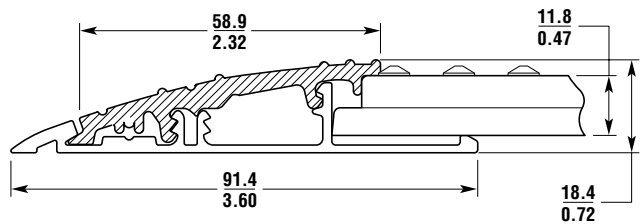
Blunt Trim: PN 43223-0096

### 2-Part Joining Trim (Base and Cover)



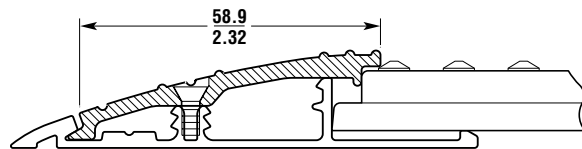
2-Part Joining Trim: PN 43222-0096  
 Joining Trim Aluminum Base: PN 32592  
 Joining Trim Cover Black: PN 32591  
 Joining Trim Cover Yellow: PN 32591-0010

### 2-Part Ramp Trim with PVC Cover (TKM)



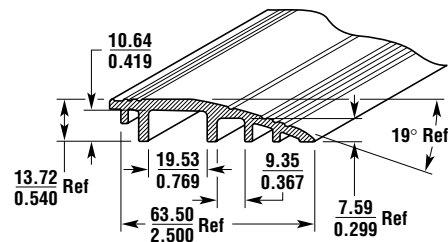
Aluminum Base & PVC Cover: PN 43123-0096  
 Aluminum Base: PN 32667  
 PVC Cover: PN 32668

### 2-Part Ramp Trim with Aluminum Cover (TKAT)



Aluminum Base & Aluminum Cover: PN 43123-1096  
 Aluminum Base: PN 32667  
 Aluminum Cover: PN 26441

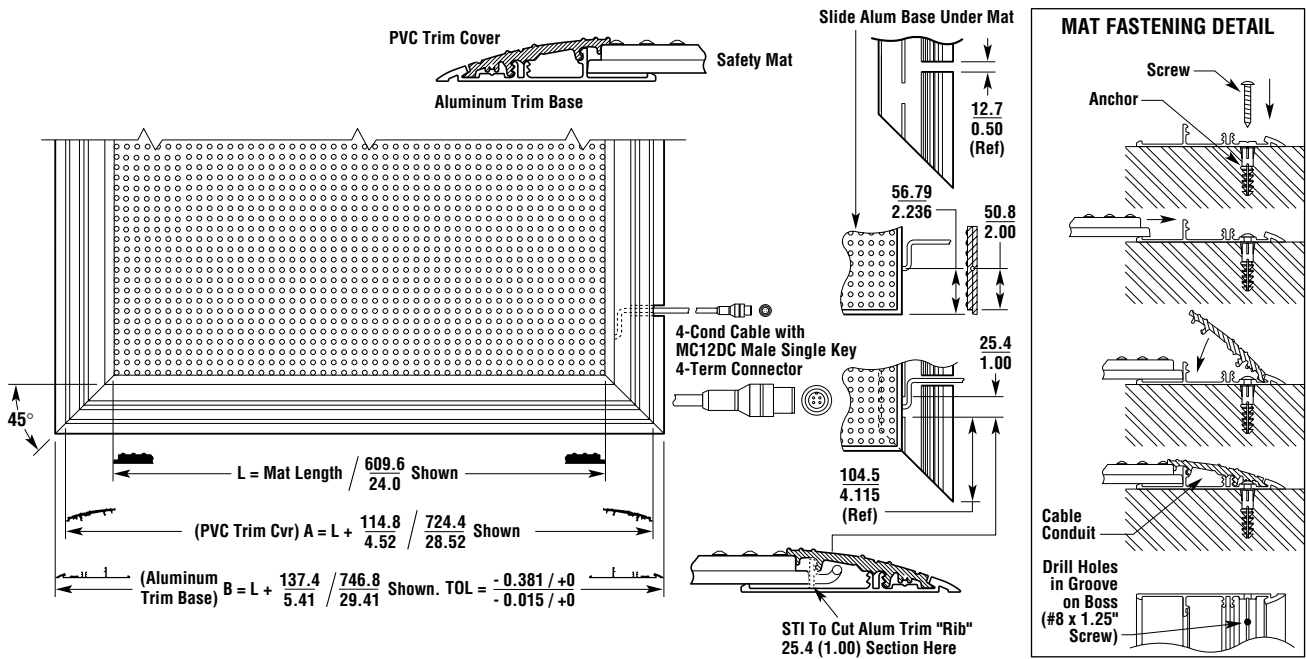
### Aluminum Single Part Ramp Trim (TKA)



Aluminum Ramp Trim: PN 43224-0096

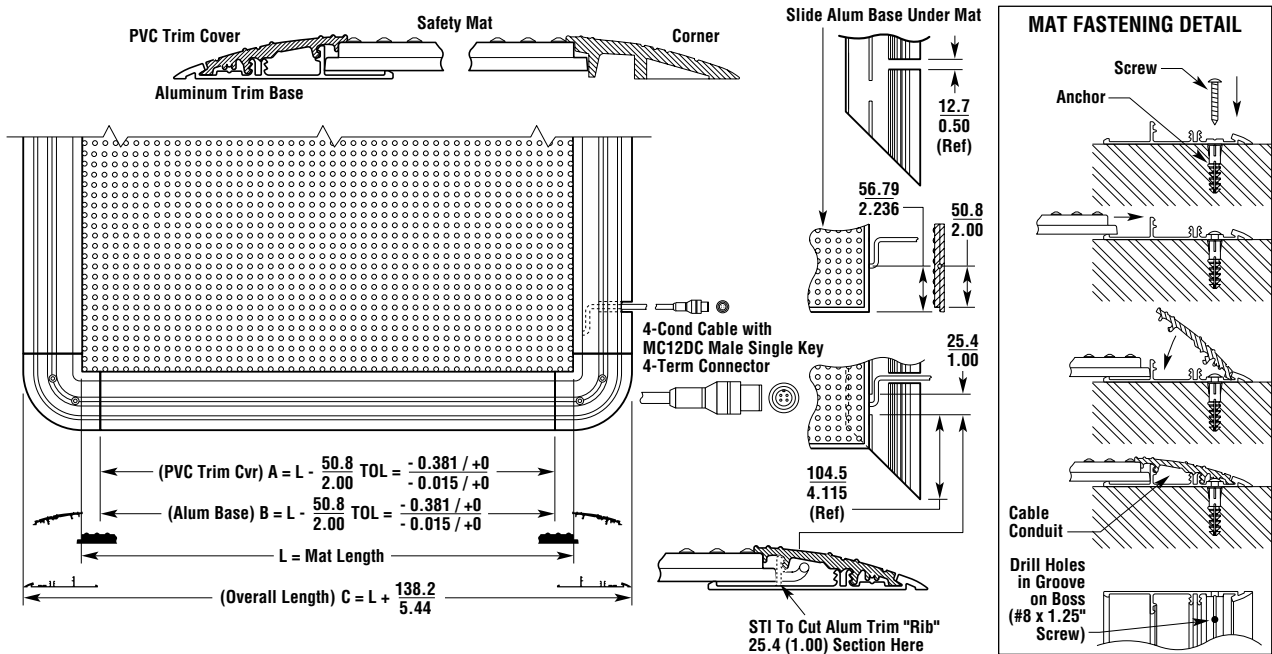
Mat Dimensions

Two-Part Trim with PVC Cover and Mitered Corners (TKM)



F

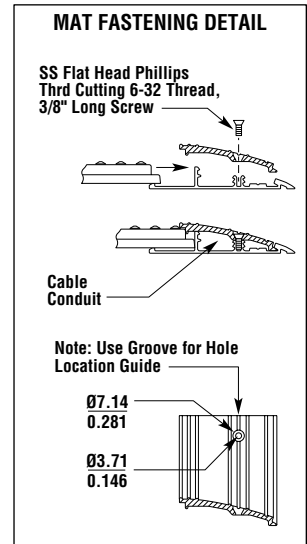
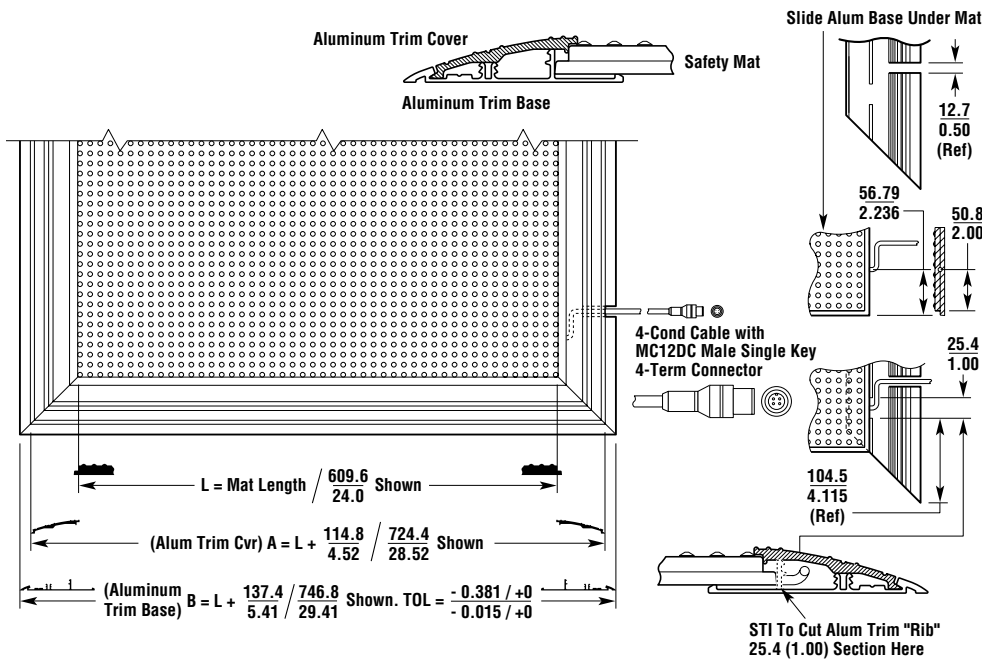
Two-Part Trim with PVC Cover and Molded Corners (TKC)



Mat Dimensions (continued)

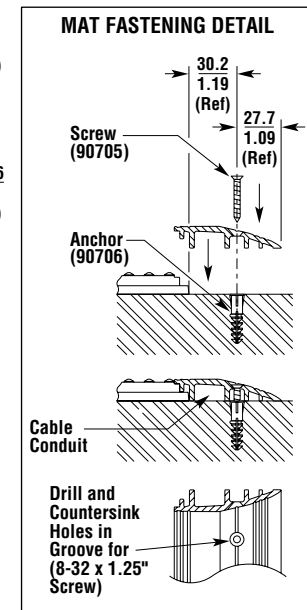
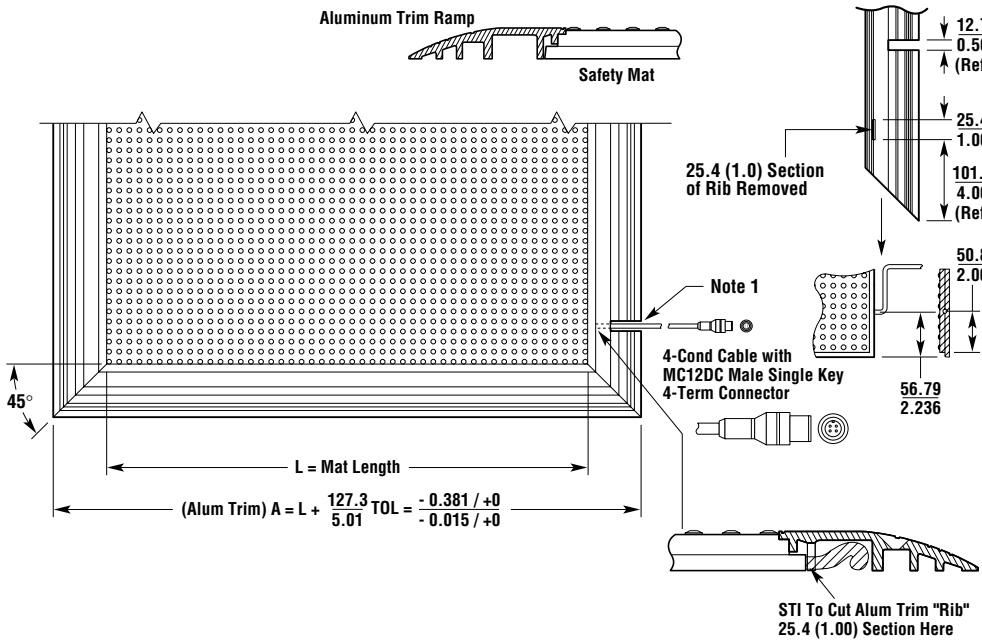
(mm/in.)

Two-Part Trim with Aluminum Cover and Mitered Corners (TKAT)

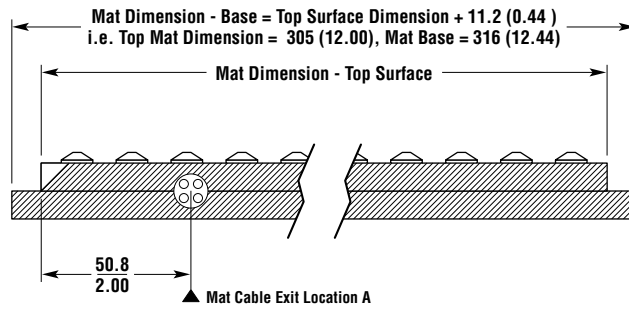


F

Single-Part Trim Aluminum Trim (TKA)



## Mat Measurement

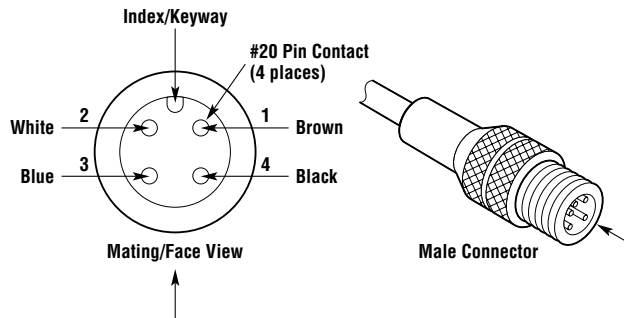


Mat Cable exits on the side indicated by the first dimension in the model number  
 i.e. UM5-1254, Cable exits 12" dimension  
 i.e. UM5-4824, Cable exits 48" dimension

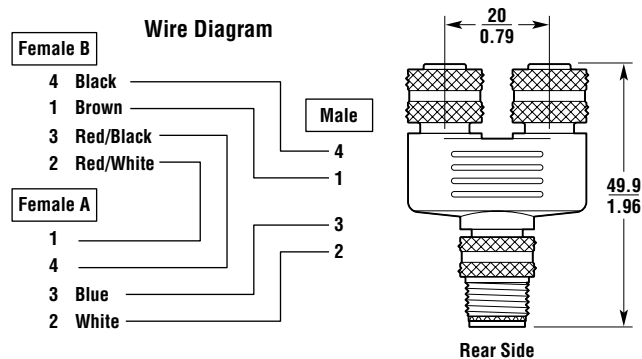
F

## Pin Out Connector

### UMQ5, UMQ10, Integral UM Mat Cables



### UM-Y-2-1 "Y" Connector

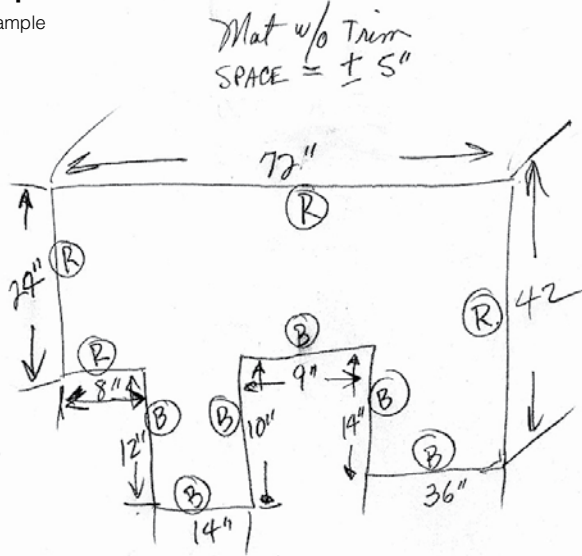


## Custom Mats and Trims

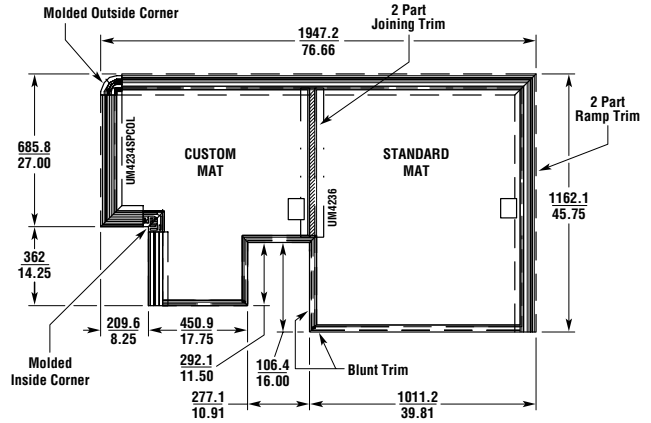
Omron STI makes ordering custom mats and trims easy. Simply send us a sketch of your layout including dimensions. Make note of where you want ramp trim or blunt trim. We'll work from your sketch to create a detailed drawing of your specifications.

### Step 1: Customer Sends a Sketch

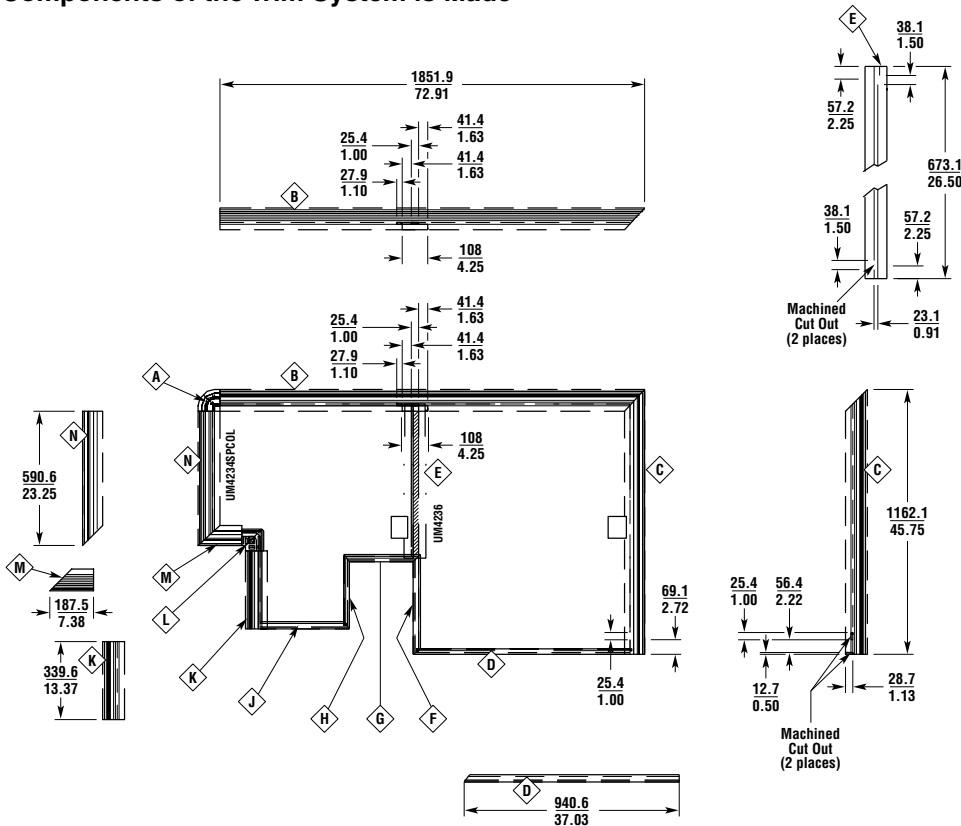
Example



### Step 2: A Quote Drawing with Dimensions is Created



### Step 3: When the Order is Placed, A Detailed Layout Showing all Components of the Trim System is Made



## Ordering

### Ordering a UMQ Mat System

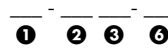
A Quick Disconnect Universal Mat System contains at least one mat, a 5 m or 10 m cable, sufficient perimeter and joining trim and a controller. For multiple mat installations using the MC3 controller, the mats are connected in series to the controller. This may be done using the UMDB6 wiring accessory. When using the MC4 or MC6 controllers, six mats may be connected directly to the controller.

Each component of Quick Disconnect Universal Mat system must be ordered individually

Mats are available in black or yellow. Yellow mats are denoted by placing a "Y" in the ordering code. The cable location is specified by letter code at the end of the ordering number. Cables must be ordered separately.

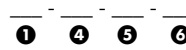
To order a Quick-Disconnect Universal Mat System, simply fill in the fields in the model number sequence given.

### Standard Mat Ordering Code:



Example: UMQ-2460-A  
This example is a 24 x 60 in. standard black mat with cable location A.

### Metric Mat Ordering Code:



Example: UMMQ-0500-0500-B  
This example is a 24 x 60 in. standard black metric quick disconnect mat with cable coming out at location B.

1 Information required. Represents mat type and color.

| Designator | Description          |
|------------|----------------------|
| UMQ        | Standard black mat   |
| UMYQ       | Standard yellow mat* |
| UMMQ       | Metric black mat     |
| UMMYQ      | Metric yellow mat*   |

Notes: \*Mats will take the largest dimension as the first dimension up to the 48 in. width (i.e. a mat ordered as 36 x 48 will be made as 48 x 36).

2345 Information required. Represents the mat size. Dimensions are for active mat area. Mats are an additional 0.5 in. (12 mm) in each dimension. Choose one value from each column.

| 2 Standard Mat Widths in Inches Designator | 3 Standard Mat Lengths in Inches Designator |
|--|---|
| 12   | 12  |
| 18   | 18  |
| 24   | 24  |
| 30   | 30  |
| 36   | 36  |
| 42   | 42  |
| 48   | 48  |
|  | 54  |
|  | 60  |
|  | 66  |
|  | 72  |

#### Special Standard Sizes\*

Special inch sizes are available in increments of 0.5 in., with a minimum width or length of 8 in.

| 4 Metric Mat Widths in mm Designator | 5 Metric Mat Lengths in mm Designator |
|--------------------------------------|---------------------------------------|
| 0500 (500 mm/19.7 in.)               | 0500 (500 mm/19.7 in.)                |
| 0750 (750 mm/29.5 in.)               | 0750 (750 mm/29.5 in.)                |
| 1000 (1000 mm/39.4 in.)              | 1000 (1000 mm/39.4 in.)               |
| 1200 (1200 mm/47.2 in.)              | 1250 (1250 mm/49.2 in.)               |
|                                      | 1500 (1500 mm/59.1 in.)               |
|                                      | 1750 (1750 mm/68.9 in.)               |
|                                      | 1800 (1800 mm/70.9 in.)               |

\*Please consult Omron STI for mat sizes not listed in the above tables.

= Highlighted **Rapid Delivery** products are available for shipment today or within **THREE** days.

F

### UM Mats vs. UMQ Mats



Prior to the development of the UMQ Mat with Quick-Disconnect cable, the **UM Series Mat** was the standard mat supplied by Omron STI. The UM Mats are available with integral cables in 5 m or 10 m lengths. These integral cables are not removable. UM mats are still available and can be ordered in black or yellow with required perimeter and joining trim.



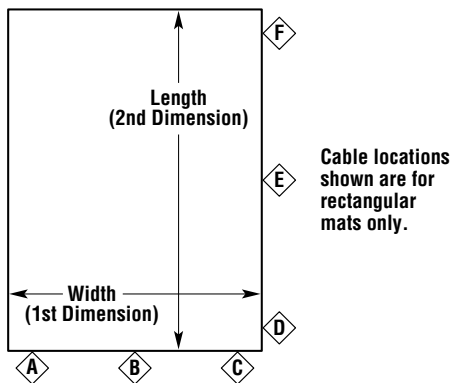
For detailed specifications and ordering information on the Universal Mat System, please visit our website at [www.sti.com](http://www.sti.com) and enter 'UM' in the SpeedSPEC search box.

## Ordering (continued)

⑥ Information required. Represents cable location. See diagram below.

| Cable Location | Description  |
|----------------|--|
| A              | Bottom left corner of first mat dimension, 2 in. from top surface of the left edge to center of cable exit     |
| B              | Bottom center of first mat dimension   |
| C              | Bottom right corner of first mat dimension, 2 in. from top surface of the right edge to center of cable exit   |
| D              | Bottom right corner of second mat dimension, 2 in. from top surface of the bottom edge to center of cable exit |
| E              | Center of second mat dimension   |
| F              | Top right corner of second mat dimension, 2 in. from top surface of the top edge to center of cable exit       |

Notes: Mats with both dimensions equal will only have "A", "B", and "C" cable locations available.



### Rapid Delivery Products

The following models are readily available for shipment today or at least within 3 days. Please consider these for all new applications.

| Model Number | Part Number | Description                     |
|--------------|-------------|---------------------------------|
| UMQ-1260-A   | 70220-1002  | 12 x 60 in. Universal Black Mat |
| UMQ-1872-A   | 70220-1010  | 18 x 72 in. Universal Black Mat |
| UMQ-2412-A   | 70220-1011  | 24 x 12 in. Universal Black Mat |
| UMQ-2418-A   | 70220-1012  | 24 x 18 in. Universal Black Mat |
| UMQ-2424-A   | 70220-1013  | 24 x 24 in. Universal Black Mat |
| UMQ-2460-A   | 70220-1015  | 24 x 60 in. Universal Black Mat |
| UMQ-2472-A   | 70220-1017  | 24 x 72 in. Universal Black Mat |
| UMQ-3030-A   | 70220-1021  | 30 x 30 in. Universal Black Mat |
| UMQ-3060-A   | 70220-1023  | 30 x 60 in. Universal Black Mat |
| UMQ-3072-A   | 70220-1025  | 30 x 72 in. Universal Black Mat |
| UMQ-3612-A   | 70220-1026  | 36 x 12 in. Universal Black Mat |
| UMQ-3624-A   | 70220-1028  | 36 x 24 in. Universal Black Mat |
| UMQ-3636-A   | 70220-1030  | 36 x 36 in. Universal Black Mat |
| UMQ-3654-A   | 70220-1031  | 36 x 54 in. Universal Black Mat |
| UMQ-3660-A   | 70220-1032  | 36 x 60 in. Universal Black Mat |
| UMQ-3672-A   | 70220-1034  | 36 x 72 in. Universal Black Mat |
| UMQ-4224-A   | 70220-1037  | 42 x 24 in. Universal Black Mat |
| UMQ-4236-A   | 70220-1039  | 42 x 36 in. Universal Black Mat |
| UMQ-4254-A   | 70220-1041  | 42 x 54 in. Universal Black Mat |
| UMQ-4260-A   | 70220-1042  | 42 x 60 in. Universal Black Mat |
| UMQ-4824-A   | 70220-1047  | 48 x 24 in. Universal Black Mat |
| UMQ-4836-A   | 70220-1049  | 48 x 36 in. Universal Black Mat |
| UMQ-4848-A   | 70220-1051  | 48 x 48 in. Universal Black Mat |
| UMQ-4866-A   | 70220-1054  | 48 x 66 in. Universal Black Mat |
| UMQ-4872-A   | 70220-1055  | 48 x 72 in. Universal Black Mat |

= Highlighted **Rapid Delivery** products are available for shipment today or within **THREE** days.

F

## Ordering (continued)

### Ordering Perimeter Trim for a Single Mat\*\*

To order Perimeter Trim for a single mat, simply fill in the fields in the model number sequence given below.

#### Standard Perimeter Trim Ordering Code:

**7** - **2** **3** **6**

Example: TKM-1266-E  
This example is a trim kit with mitered corners to fit a 12 x 66 in. standard mat with cable coming out at location E.

#### Metric Perimeter Trim Ordering Code:

**7** - **4** **5** **6**

Example: MTKM-0500-0500-E  
This example is a trim kit with mitered corners to fit a 500 x 500 mm metric quick disconnect mat with cable coming out at location E.

**7** Information required. Represents the corner style used on the trim kits.

| Designator | Description   |
|------------|---|
| TKM        | Standard trim kit, 2-part mitered corners with PVC top cover      |
| TKAT       | Standard trim kit, 2-part mitered corners with aluminum top cover |
| TKC        | Standard trim kit, 2-part with molded corners with PVC top cover  |
| TKA        | Standard trim kit, single part aluminum ramp trim (mitered only)  |
| MTKM       | Metric trim kit with mitered corners                              |
| MTKC       | Metric trim kit with molded corners                               |

MTKAT is available upon request.

### Ordering Cables

Cables should be ordered separately.

| Model No.   | Description                 |
|-------------|-----------------------------|
| UMQ5 Cable  | 5 m quick disconnect cable  |
| UMQ10 Cable | 10 m quick disconnect cable |



F

For specifications and dimensions on the MC Controllers, see page F13

For details on ordering a custom safety mat, see page F9

For details on ordering a trim kit for a multiple configuration mat, please consult Omron STI.

## Accessories for Standard and Metric Sized Mats

| Model Number | Description  | Weight           |
|--------------|--|------------------|
| UMRT4        | Bulk two-part ramp trim with yellow PVC cover 1.22 m (48 in.) length   | 1.5 kg (3.3 lb.) |
| UMRT8        | Bulk two-part ramp trim with yellow PVC cover 2.44 m (96 in.) length   | 3.0 kg (6.6 lb.) |
| UMRT8A       | Bulk two-part ramp trim with aluminum top 2.44 m (96 in.) length   | 3.2 kg (7.0 lb.) |
| UMJS4        | Bulk two-part active joining trim 1.22 m (48 in.) length   | 1.4 kg (3.0 lb.) |
| UMJS8        | Bulk two-part active joining trim 2.44 m (96 in.) length   | 2.7 kg (6.0 lb.) |
| UMJTC8Y      | Bulk joining trim cover yellow 2.44 m (96 in.)   | 0.5 kg (1.0 lb.) |
| UMBT4        | Bulk blunt trim 1.22 m (48 in.) length   | 1.1 kg (2.5 lb.) |
| UMBT8        | Bulk blunt trim 2.44 m (96 in.) length   | 2.3 kg (5.0 lb.) |
| UMAL         | Bulk aluminum ramp trim 2.44 m (96 in.)  | 2.9 kg (6.5 lb.) |
| UMOC         | Molded outside corner  |                  |
| UMIC         | Molded inside corner   |                  |
| UMDB-6       | Universal Safety Mat distribution box with 6 mat input connectors and one output connection to the controller  |                  |
| UMDB-8       | Universal Safety Mat distribution box with 8 mat input connectors and one output connection to the controller  |                  |
| UMDB-10      | Universal Safety Mat distribution box with 10 mat input connectors and one output connection to the controller |                  |
| UMEC-DB6     | 15 m extension cable (distribution box to controller) for UMDB-8 or UMDB-10                                    |                  |
| UMEC-03      | 3 m (9 ft.) extension cable for mat or UMDB-6  |                  |
| UMEC-05      | 5 m (16 ft.) extension cable for mat or UMDB-6   |                  |
| UMEC-10      | 10 m (32 ft.) extension cable for mat or UMDB-6  |                  |
| UMEC-15      | 15 m (49 ft.) extension cable for mat or UMDB-6  |                  |
| UMPMC        | Panel-mount connector. Allows the controller to accept quick disconnect cable from UM series mats.             |                  |
| UM4PRC       | 4-pin male QD field replacement connector for mat cables   |                  |
| UM-Y-2-1     | "Y" connector, internally connected to allow 2 mats to 1 input to controller or connector                      |                  |
| UMQ5         | 5 m quick-disconnect cable   |                  |
| UMQ10        | 10 m quick-disconnect cable  |                  |